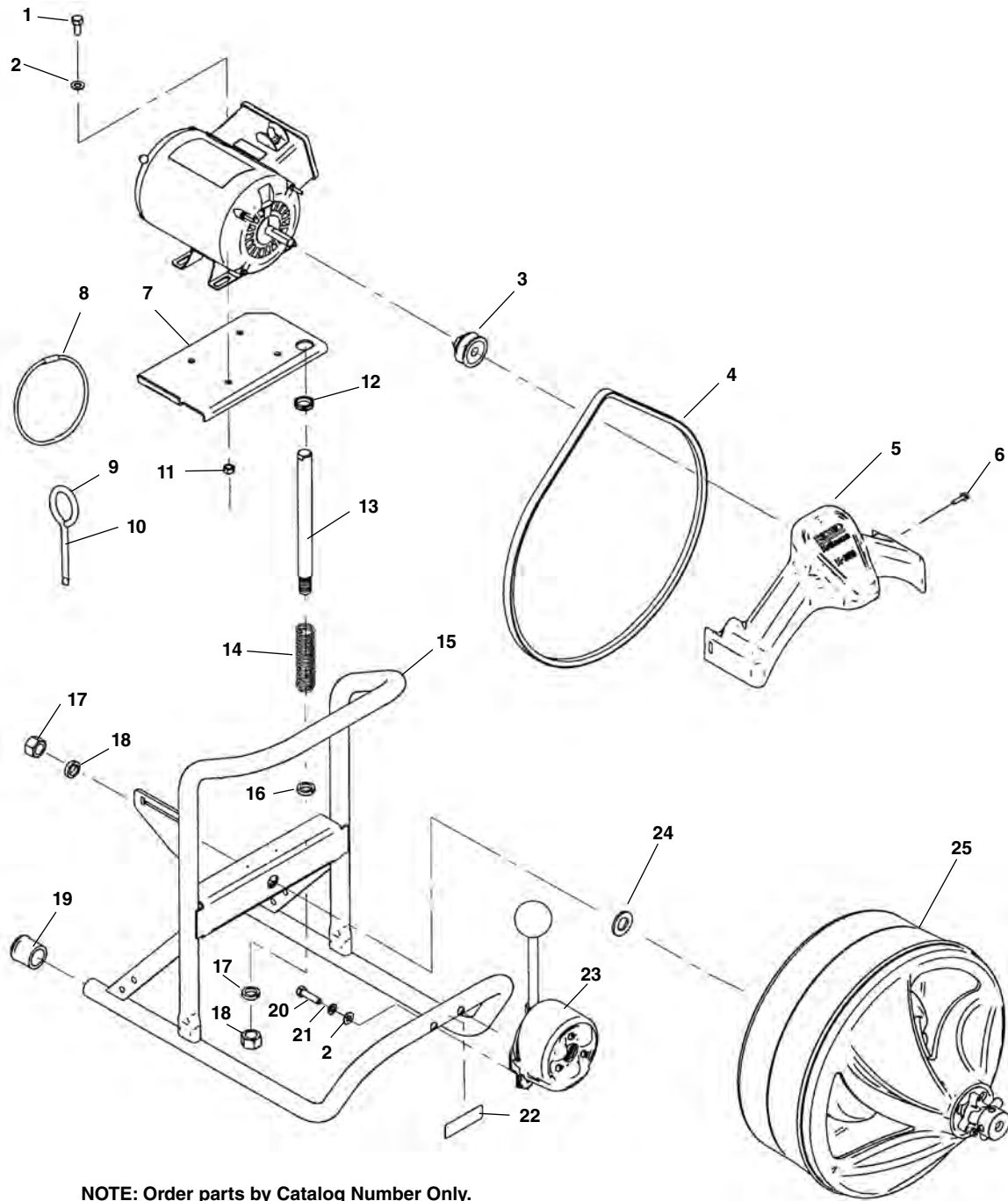


Main Components

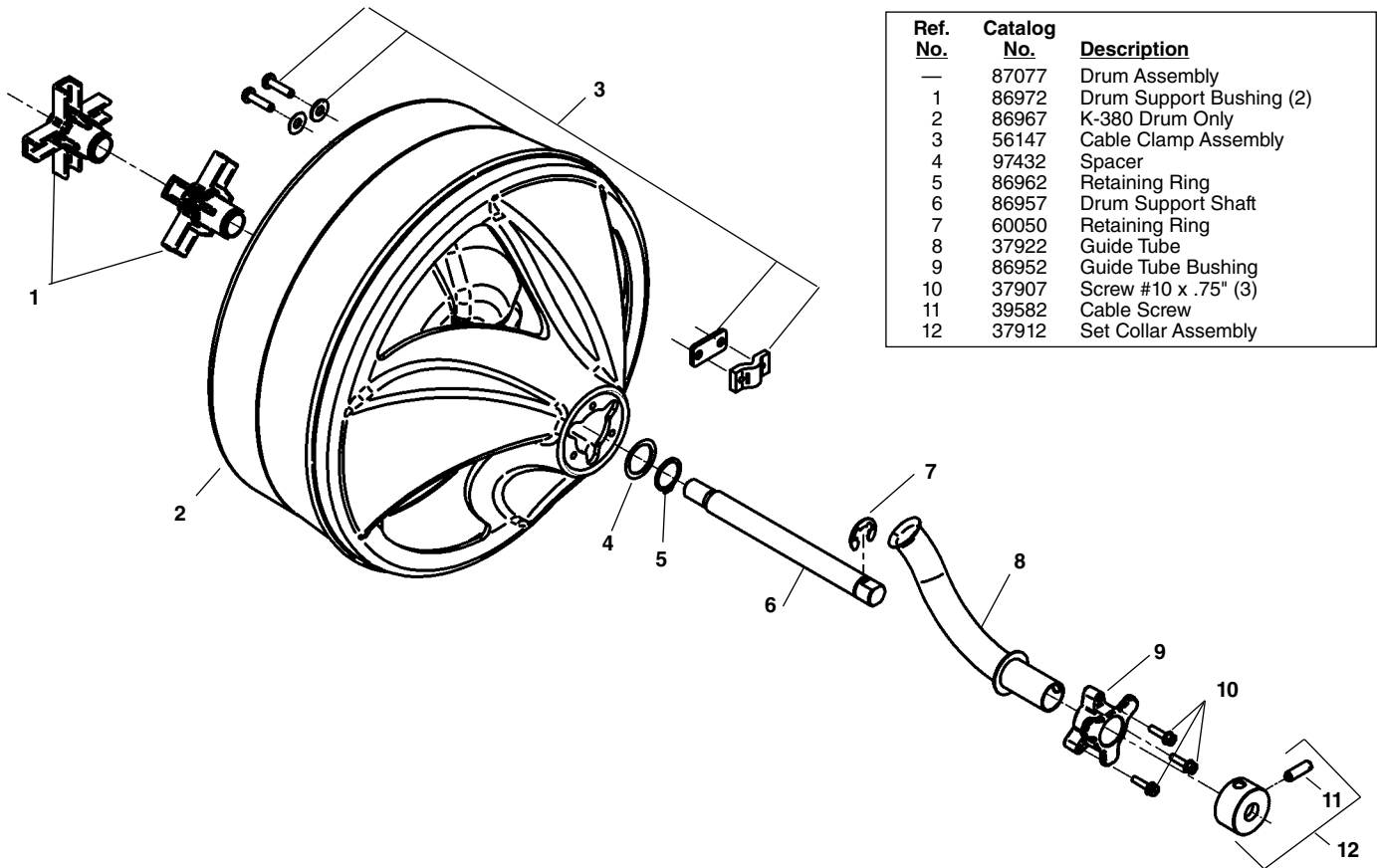


**NOTE: Order parts by Catalog Number Only.
DO NOT order by Reference Number.**

Ref. No.	Catalog No.	Description	Ref. No.	Catalog No.	Description
1	61130	Hex Screw 5/16" - 18 x 3/4" (4)	14	87002	Compression Spring
2	60065	Flat Washer 5/16" (6)	15	87007	K-380 Frame
3	86987	Pulley w/Set Screw	16	21963	Spacer (Europe & U.K. Only)
4	86977	Belt	17	13617	5/8" - 11 Nut
5	86982	Belt Guard	18	46682	5/8" Lockwasher
6	37907	#10 Screw (5)	19	37962	Rubber Tip (2)
7	86992	Motor Base Plate	20	60515	Hex Screw .31" - 18 x 1.25" (2)
8	54562	Tool Holder	21	60080	1 1/32" Lockwasher (2)
9	59230	3/8" Pin Key	22	87012	K-380 Label
10	59225	1/2" Pin Key	23	87337	K-380 Power Feed Assembly
11	27517	Lock Nut (4)	24	41790	Flat Washer
12	37952	Split Grommet	25	87077	K-380 Drum Assembly
13	86997	Spring Support Shaft			

Drum Assembly

**NOTE: Order parts by Catalog Number Only.
DO NOT order by Reference Number.**



Ref. No.	Catalog No.	Description
—	87077	Drum Assembly
1	86972	Drum Support Bushing (2)
2	86967	K-380 Drum Only
3	56147	Cable Clamp Assembly
4	97432	Spacer
5	86962	Retaining Ring
6	86957	Drum Support Shaft
7	60050	Retaining Ring
8	37922	Guide Tube
9	86952	Guide Tube Bushing
10	37907	Screw #10 x .75" (3)
11	39582	Cable Screw
12	37912	Set Collar Assembly

AUTOFEED® Assembly

Ref. No.	Catalog No.	Description
—	26773	AUTOFEED® Assembly
1	87627	Mounting Bracket
2	87607	Roller Shaft (6)
3	87622	Back Plate
4	93630	Clutch Handle
5	59585	Ball for Handle
6	87617	Spring
7	44077	Ball Bearing (3)
8	41502	Set Screw $\frac{5}{16}$ " - 18 x $\frac{3}{4}$ " (3)
9	87612	Front Plate
10	87632	AUTOFEED® Cover
11	45420	Screw 10 - 24 x $\frac{3}{8}$ " (3)

